

***World's First Versatile 5-in-1
Precision MF Lens of JAPAN
How versatile? 300mm⇒400mm⇒
500mm⇒600mm + 0.55m MACRO!***



Especially for professional & advanced outdoor & nature photographers. Also for prospective digiscopers looking for simplicity; Without adapters Viewing and Photographing can be simultaneously enjoyed by more than one person.

©100% Made in Japan ©Rugged Fixed Mount ©Floating Internal Focusing & 4 ED Lenses ensures Incredibly

Very High Quality Performance ©Lightest and Smallest in this Class ©Built-in Hood

©Ten-blade Rounded Diaphragm

Plus, for some video camera and any CCTV camera!!

With C-mount + 1/3" camera, performs as 2160~4320mm lens, in addition with 2X Extender turns to the world's longest 4320~8620mm lens!

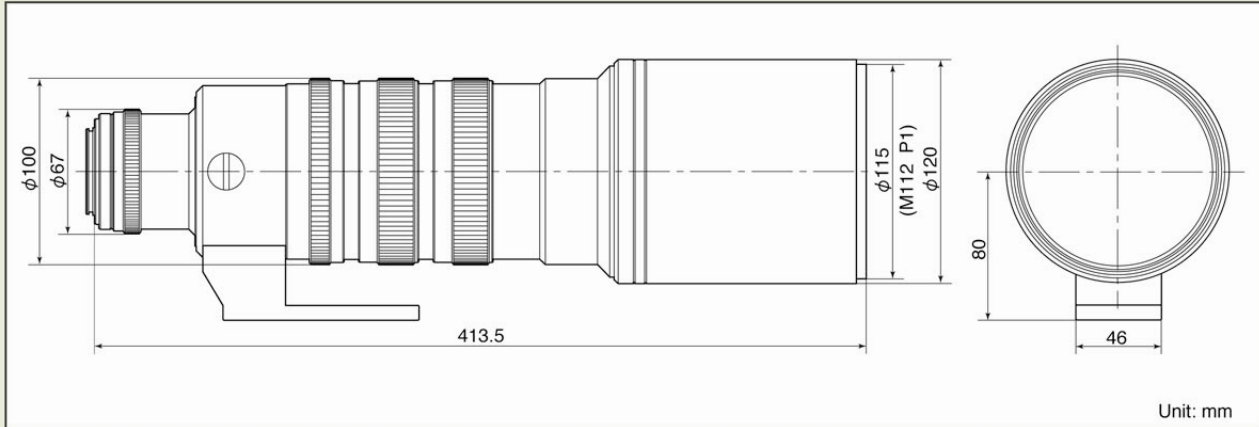
V-HQ 300~600mm [IF&ED] f/4.1~5.7 MACRO 1:4

ELICAR®

E-mail: elicarjapan@aol.com <http://www.elicarjapan.com>

V-HQ 300~600mm

[IF&ED] f/4.1~5.7 **MACRO 1:4**



SPECIFICATIONS

Focal Length: 300 - 600mm (APS-C⇒450 - 900mm)

Focus Type: MANUAL

Zoom Type: Rotating

Aperture: f/4.1 - 5.7

Maximum Reproduction Ratio: 1:4

Minimum Aperture: f/32

Lens Construction: 19 Elements in 16 Groups

Click Stops: from f/4.1 to f/32

Number of Blades: 10

Closest Focusing Distance: 0.55 meters / 21 inches

Angle of View: 7°55' ~ 4°06'

Coating: Multi-coated

Hood: built-in Retractable

Tripod Mount: Built-in

Filter Size: 112mm

Mount Fixed: Nikon • EOS • PK • C/CS

Length: 414mm / 16.3 inches

Diameter: 120mm / 4.7 inches

Weight: 3,750g / 8.3 pounds

ELICAR[®]
E-mail: elicarjapan@aol.com
<http://www.elicarjapan.com>

SPEC Comparative Table

(I) for **DSLR cameras:**

	<u>Construction</u>	<u>Blade</u>	<u>Minimum Aperture</u>	<u>Closest Distance</u>	<u>Maximum Mag. Ratio</u>	<u>Weight</u>	<u>Dia. x Length</u>	<u>Filter</u>	<u>Built-in Hood</u>
Nikon 600mm F4	15E-12G	9	22	5.0m	1:7.4	5,060g	166x445mm	52	nil
Canon 600mm F4	17E-13G	8	32	5.5m	1:8.3	5,360g	168x456mm	52	nil
Pentax 600mm F4	9E-7G	8	32	5.0m	1:7.6	7,000g	176x457mm	43	yes
Sony 500mm F4	11E-10G	9	32	4.0m	1:7.4	3,460g	140x368mm	42	nil
Sigma 300-800mm F5.6	18E-16G	9	32	6.0m	1:6.9	5,880g	156x544mm	46	nil
Elicar 300-600mm F4.1-5.7	19E-16G	10	32	0.55m	1:4	3,750g	120x414mm	112	yes

(II) for **CCTV cameras**

Elicar 300-600mm F4.1-5.7	⇒	1/3"	⇌	<u>2160-4320mm</u>	w/2X Extender	⇌	<u>4320-8620mm</u>
	⇒	1/2"	⇌	<u>1620-3240mm</u>	w/2X Extender	⇌	<u>3240-6480mm</u>
	⇒	1"	⇌	<u>810-1620mm</u>	w/2X Extender	⇌	<u>1620-3240mm</u>